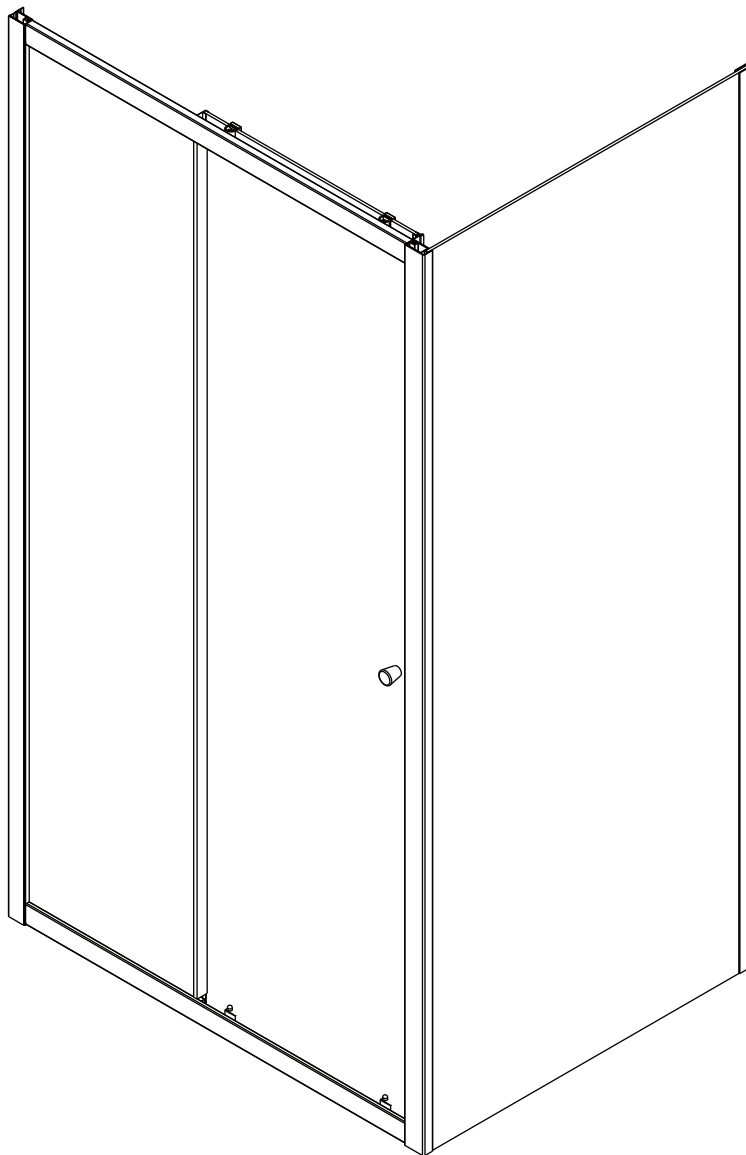
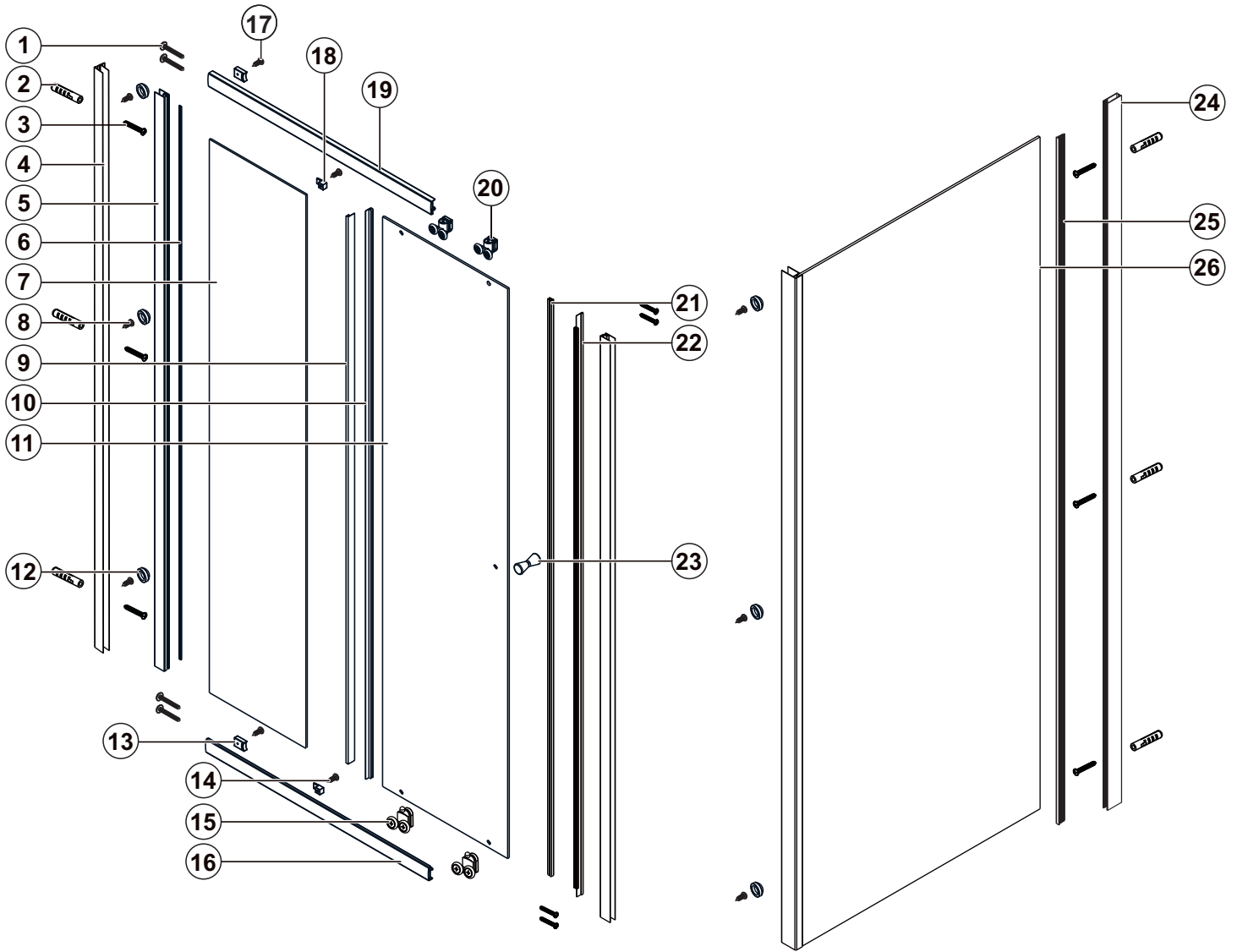


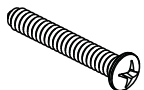


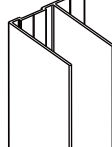
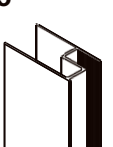

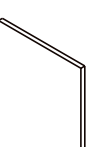

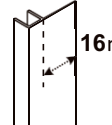
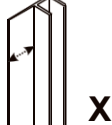
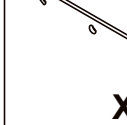




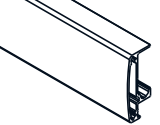

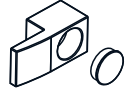
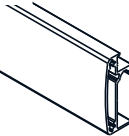
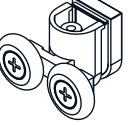
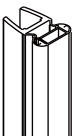
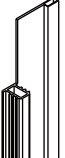

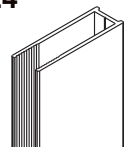
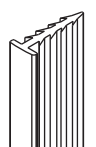
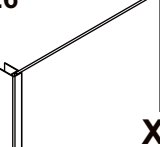



montážní návod / installation instruction  
ATP80/AWP80/ATP90/AWP90

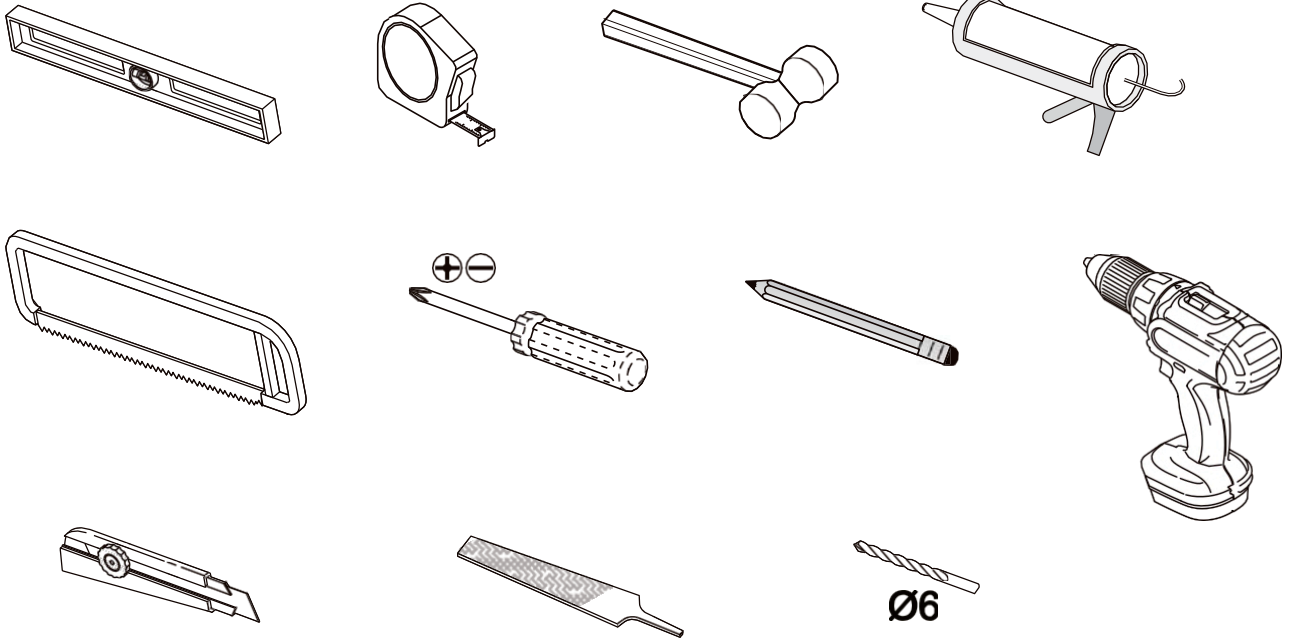


# PARTS LIST



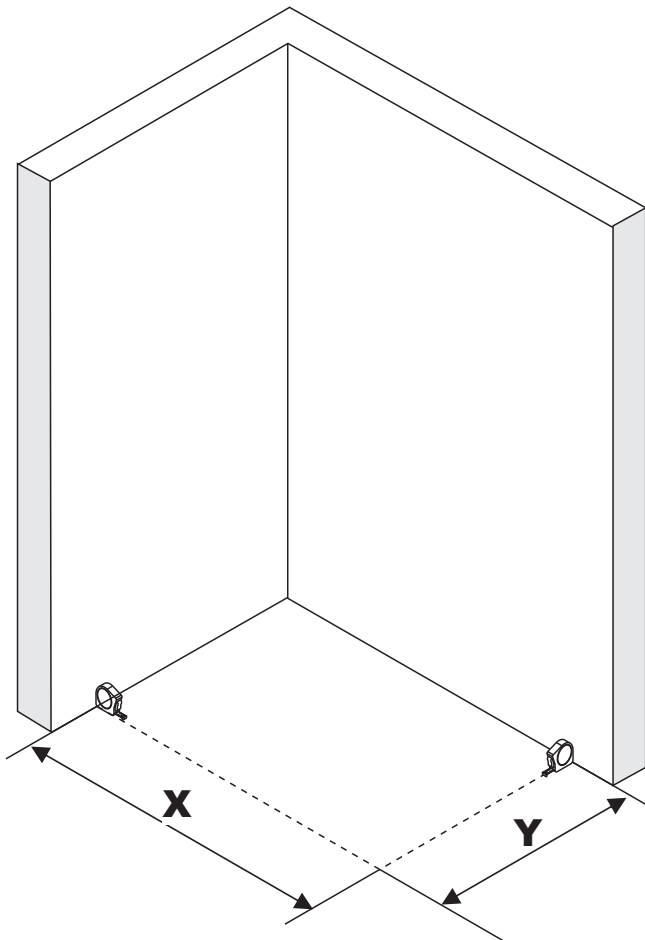
1  ST4*30 X8	2  X6	3  ST4*40 X6	4  X1	5  X2	6  X1	7  X1
8  ST4*13 X6	9  16mm X1	10  12mm X1	11  X1	12  X9	13  X2	14  ST4*10 X2
15  X2	16  X1	17  ST4*8 X2	18  X2	19  X1	20  X2	21  X1
22  X1	23  X1	24  X1	25  X1	26  X1	27  Φ3 X1	

# TOOLS



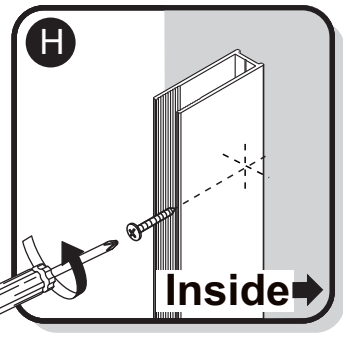
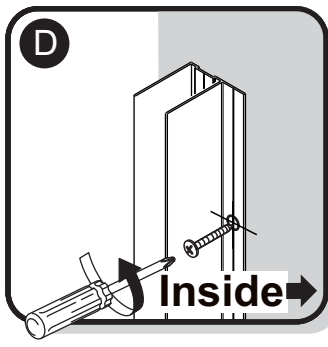
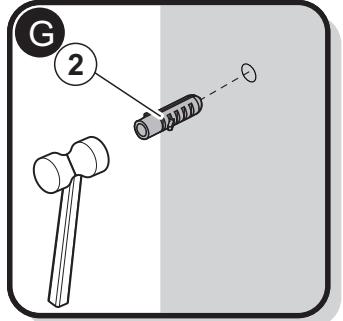
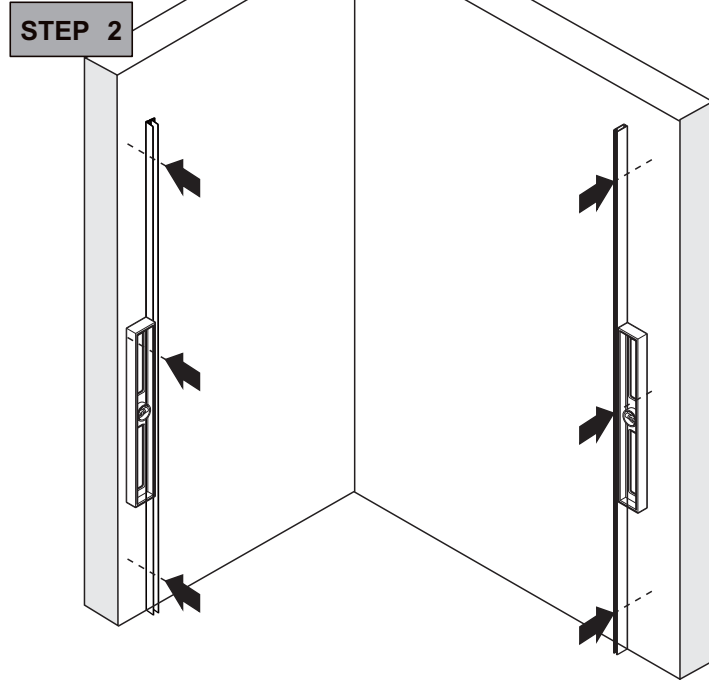
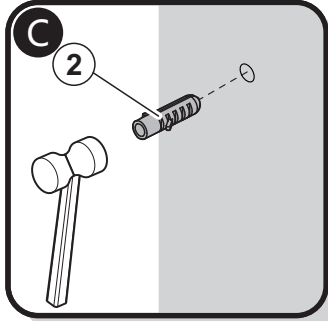
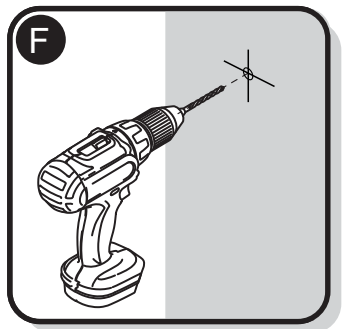
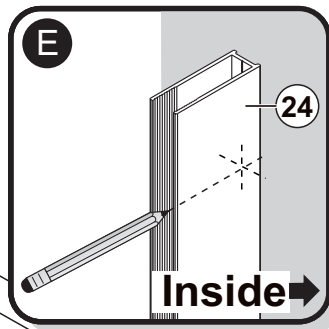
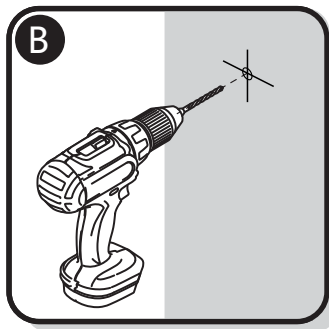
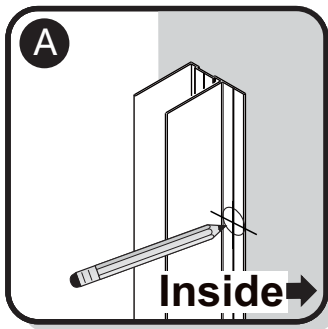
# INSTALLATION

## STEP 1

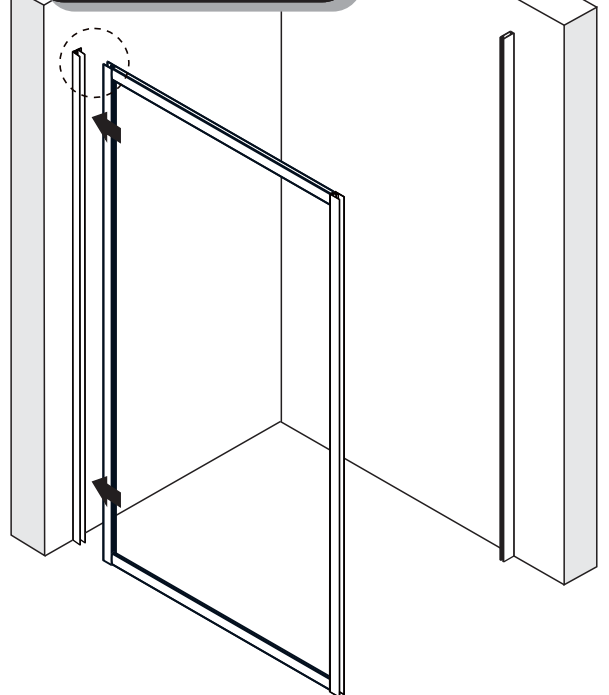
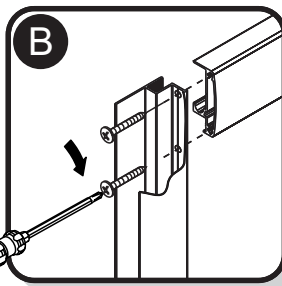
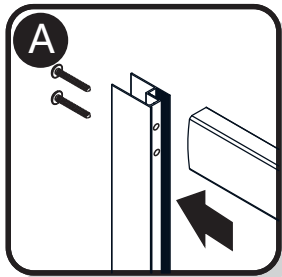
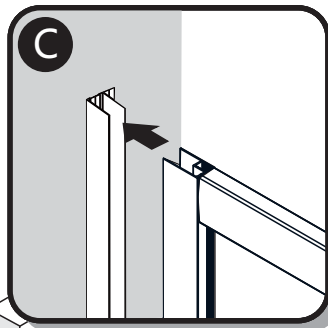
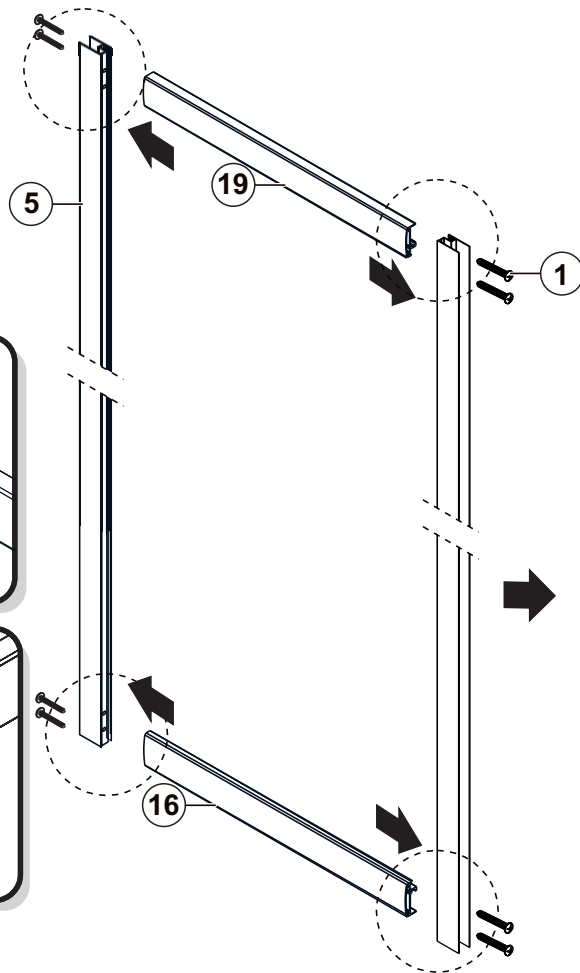


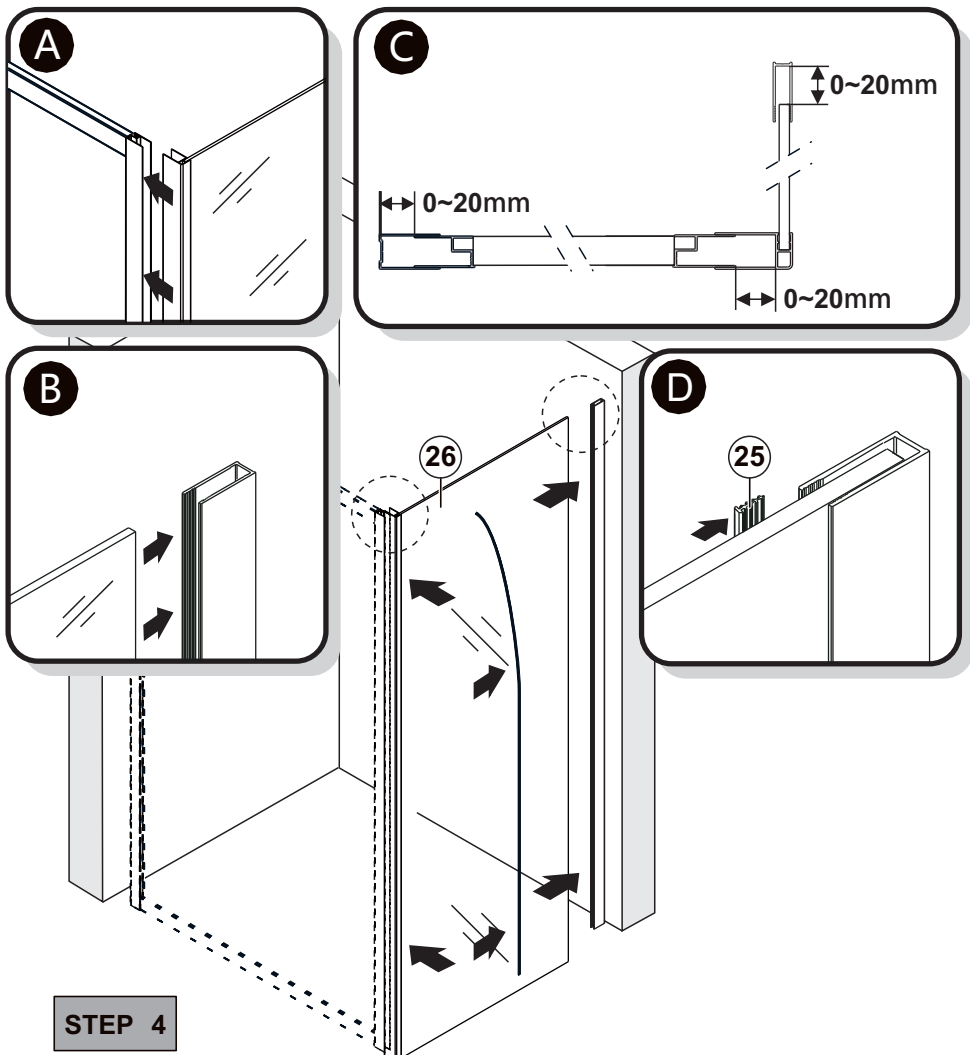
SIZE	X,mm
1000X1850	980~1020
1100X1850	1080~1120
1200X1850	1180~1220
1400X1850	1380~1420

SIZE	Y,mm
800X1850	780~800
900X1850	880~900

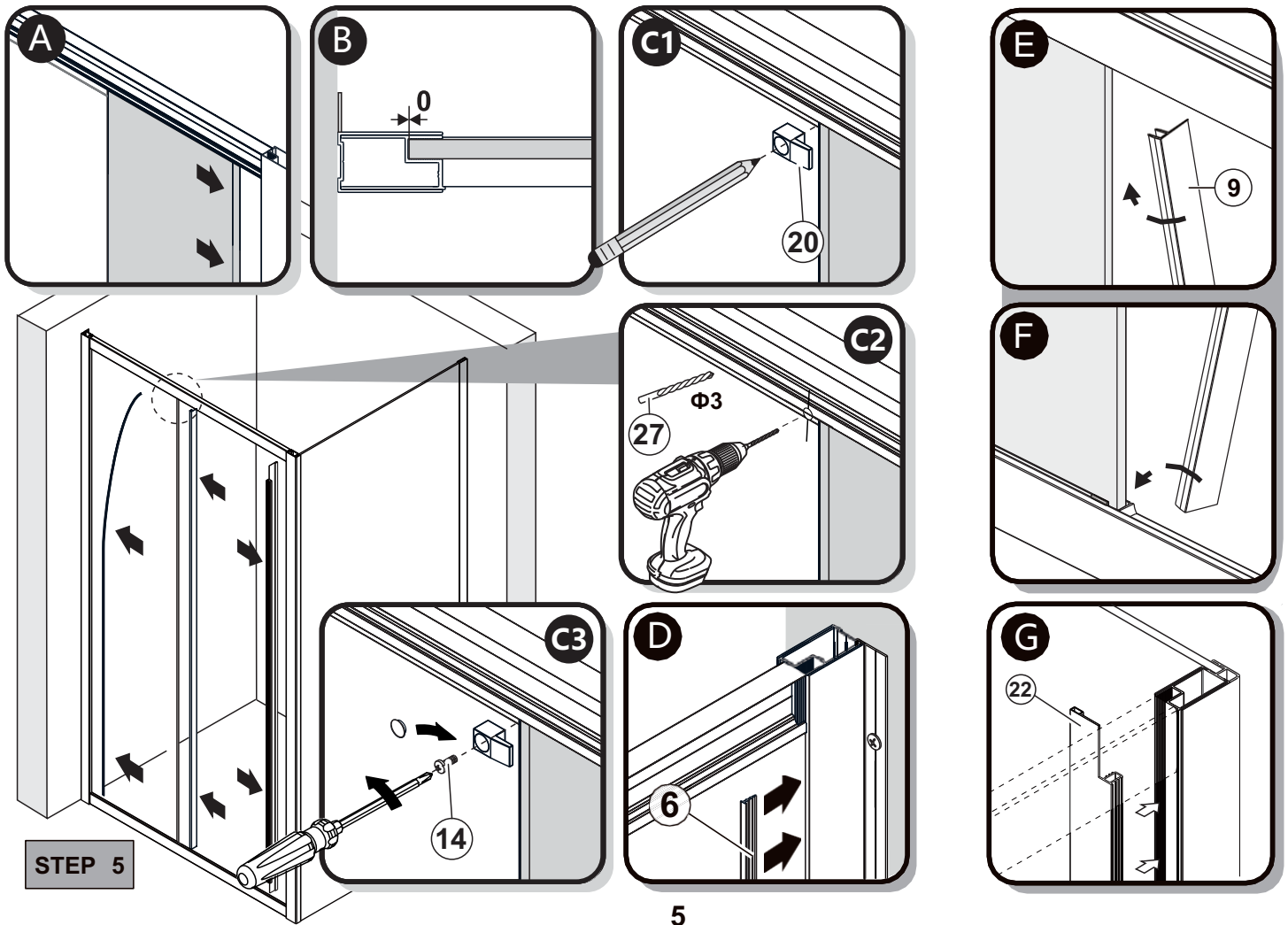
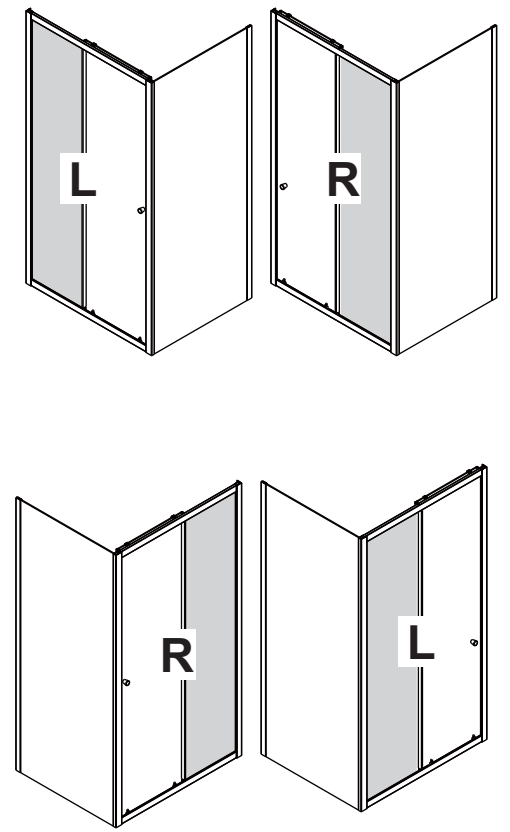


STEP 3

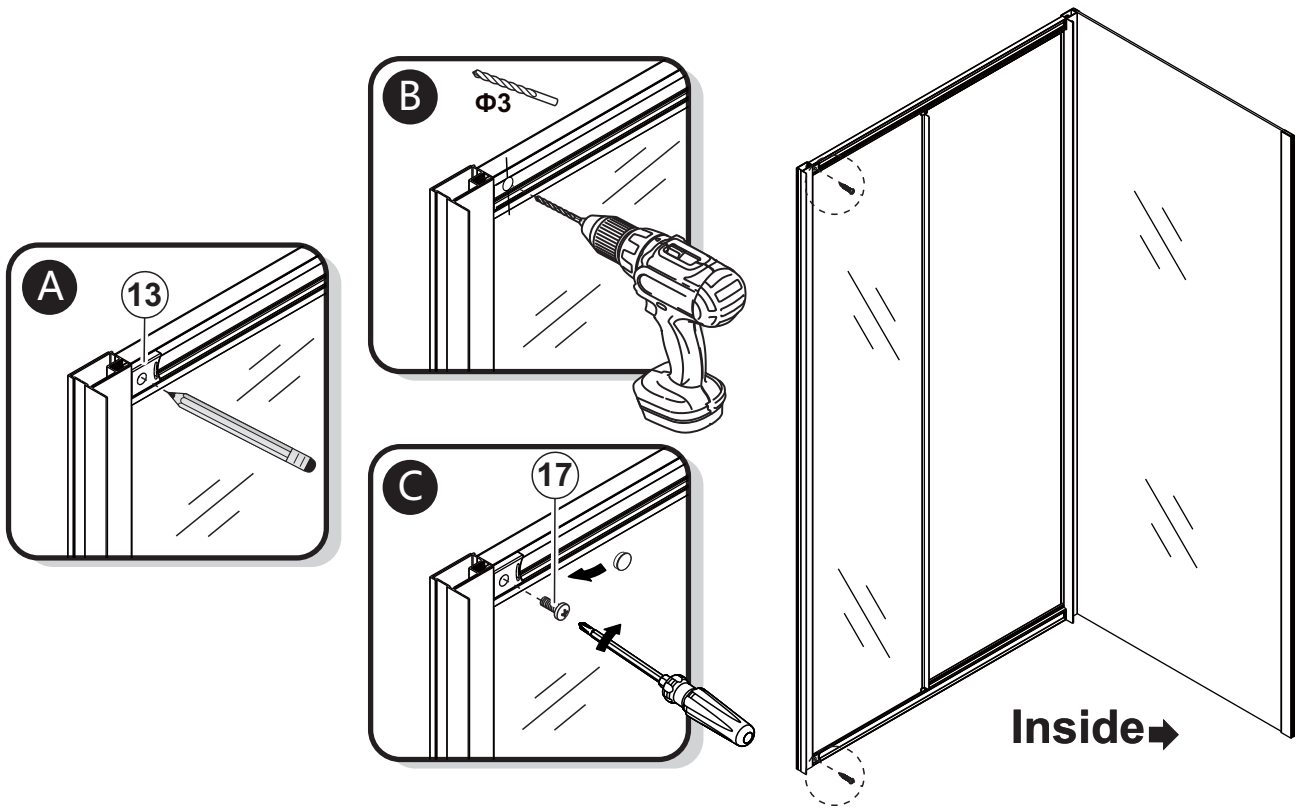




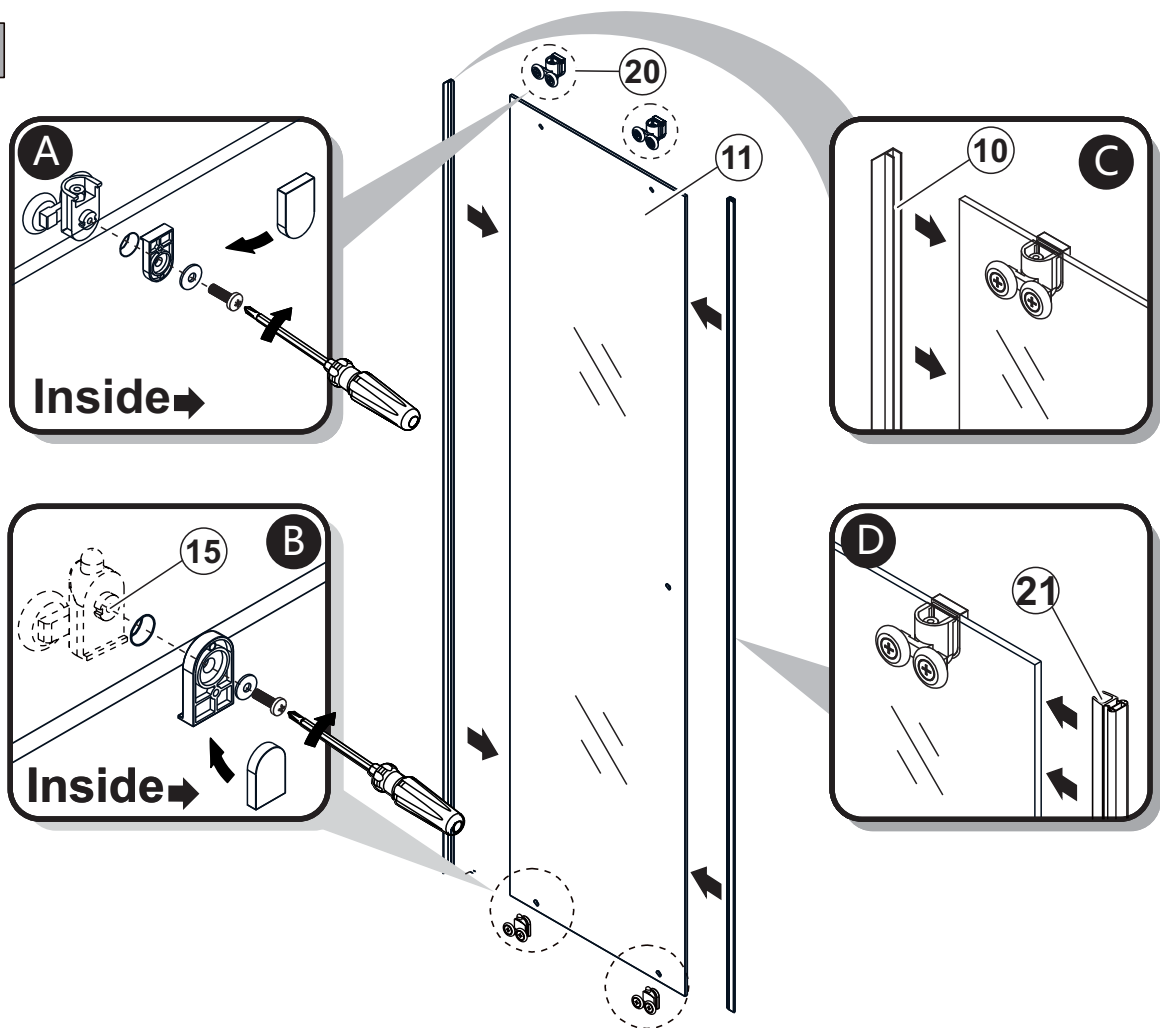
**STEP 5**



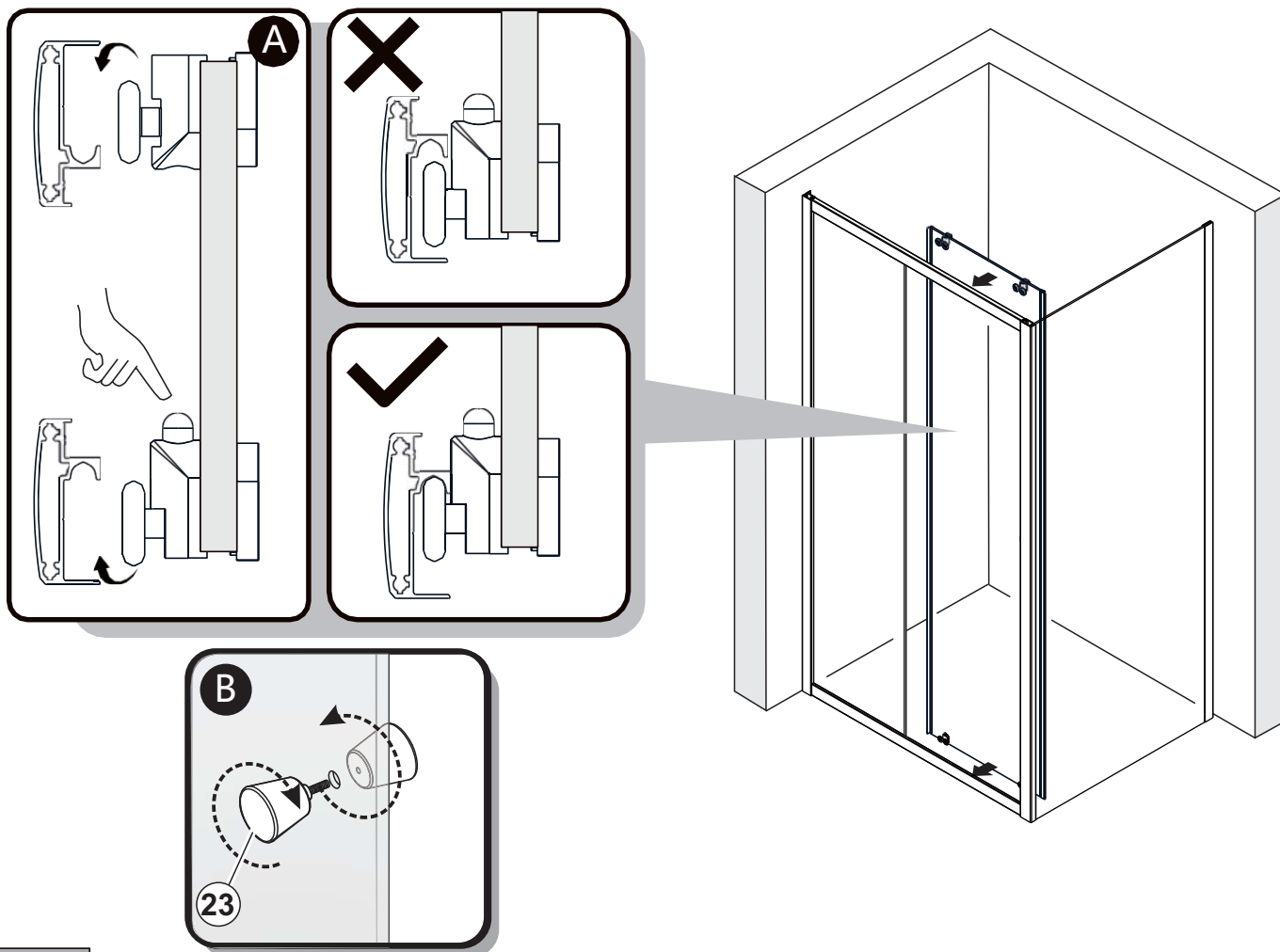
STEP 6



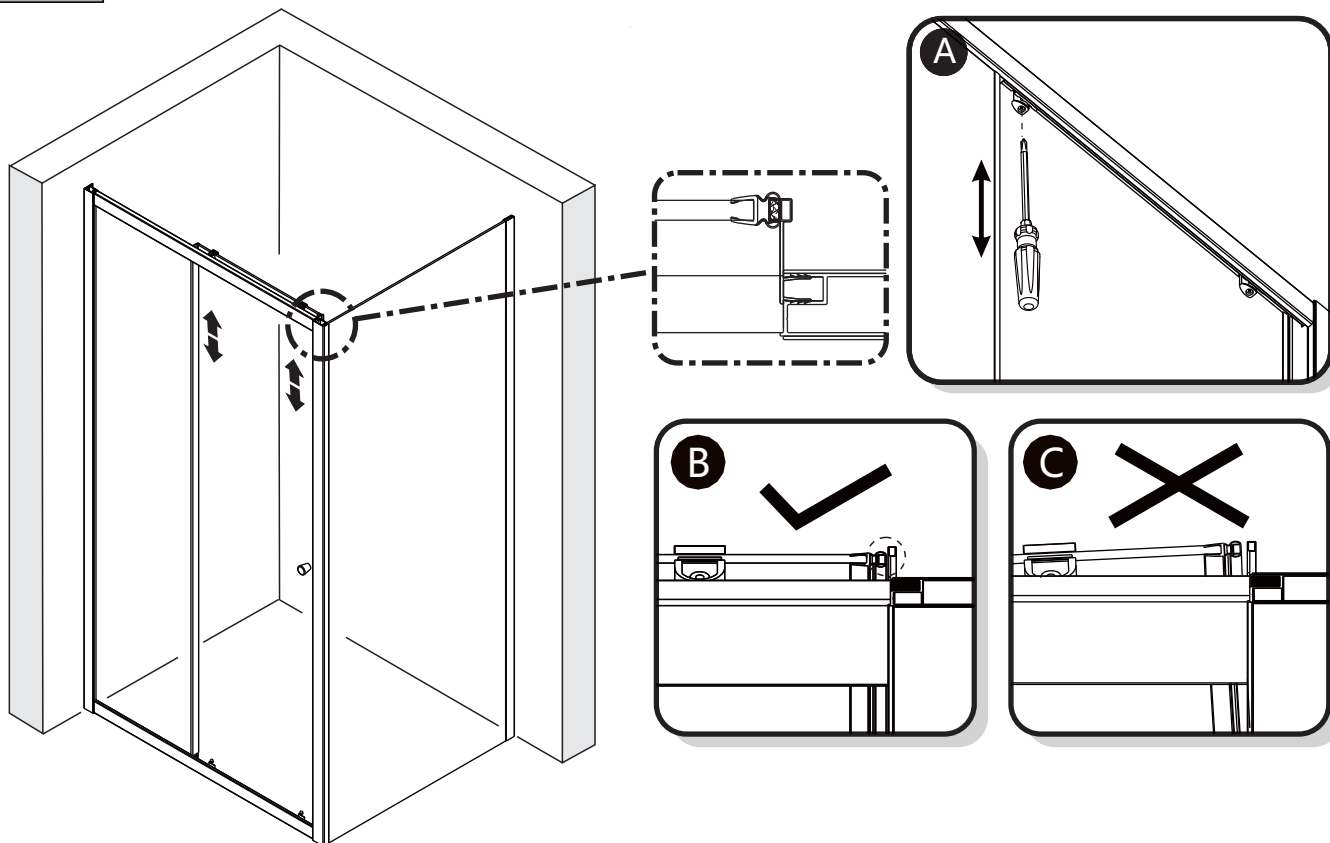
STEP 7



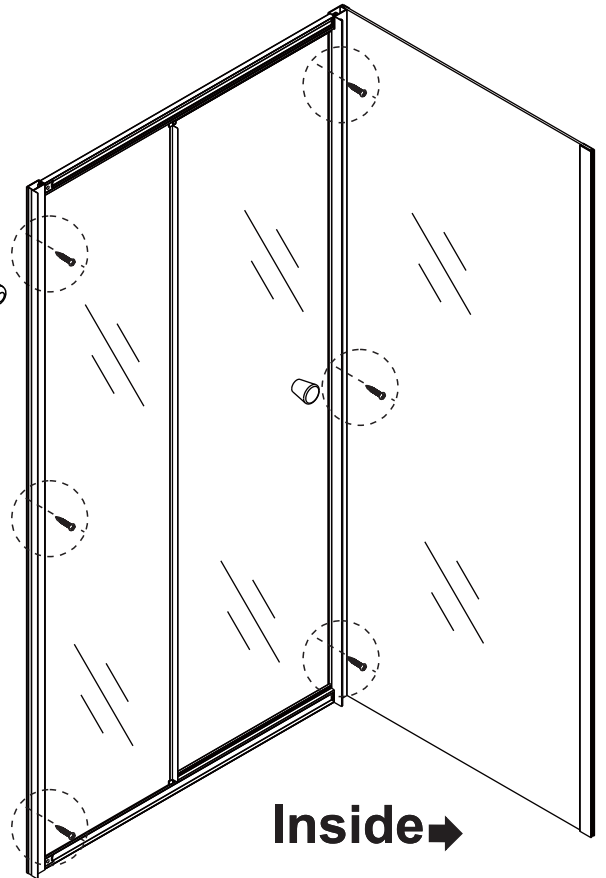
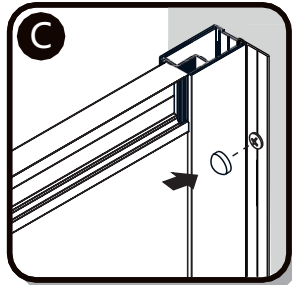
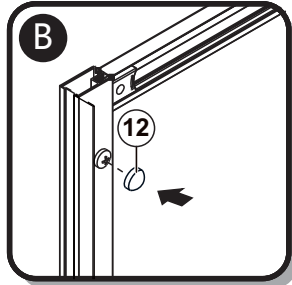
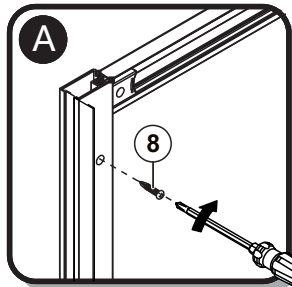
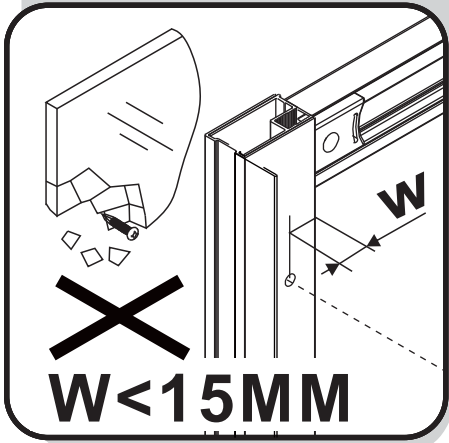
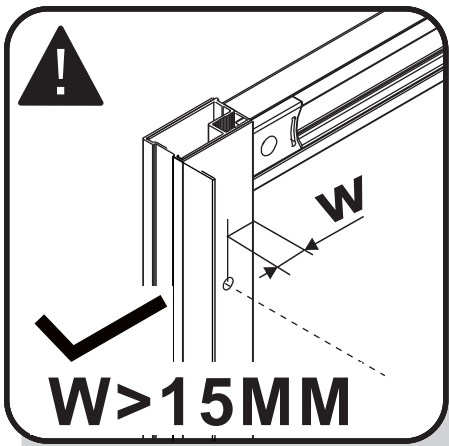
STEP 8



STEP 9



STEP 10



STEP 11

